

Supplement No. 78/1

Ref: Plug for solenoid actuated hydraulic valves
acc. to pamphlet D 7163, release May 1996

Ready to use plug type L5K-.. conforming DIN 43 650 A, with integrated seal and 5 m cable

Supplement for versions acc. to D 7163

1. General

These ready to use plugs with LED indicator for single stroke single and twin solenoids as well as pressure switches ease installation. The plugs come with molded cable where the other end is equipped with crimped end sleeves. The plug features an integrated seal at the side where connected to the terminals of the solenoid.

- These plugs are only available for various AC-voltages but only 24 VDC.
- A protection against inductive cut-off peaks is integrated in plugs type L5K and L5K-VZP.
- The molded cable is only available with length 5 m.

2. Available versions, main data

2.1 Plugs conforming DIN 43 650 shape A (ISO 4400)

Type	Part No.	Nomenclature
L5K	6217 8088	Plug for single stroke solenoid, cable length 5 m
L5K-VZP	6217 8086	Plug for twin solenoid, cable length 5 m
L5K-DG	6217 8087	Plug for pressure switch type DG, cable length 5 m

2.2 Additional data

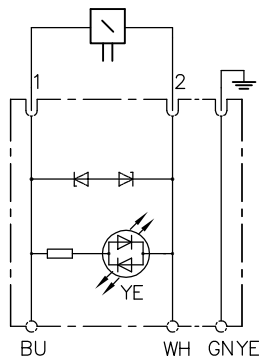
2.2.1 General parameters

Housing material	T-PU (Polyurethane)																														
Base plate	PA6 GF30 (Polyamide, fiber enforced)																														
Outer cable insulation	Polyether-Polyurethane conf. VDE 0250 part 818 Compound No. 11Y Oil resistant conf. VDE 0472 T803 Salt water resistant Flame resistant conf. VDE 0472 T804																														
Color, outside	yellow, like RAL 1021																														
Lead insulation	PVC Y12 conf. VDE 0207 T4 Flame resistant conf. VDE 0472 T804																														
Cable, internal	Type L5K: 3x0,5 mm ² (white, blue, yellow/green) Type L5K-VZP: 4x0,5 mm ² (white, blue, black, yellow/green) Type L5K-DG: 4x0,34 mm ² + 1x0,5 mm ² (white, blue, black, yellow/green)																														
Color coding (acc. to DIN IEC 60757):	<table><thead><tr><th>Color</th><th colspan="2">Coding</th></tr><tr><th></th><th>(old)</th><th>(new)</th></tr></thead><tbody><tr><td>Black</td><td>sw</td><td>BK</td></tr><tr><td>Brown</td><td>br</td><td>BN</td></tr><tr><td>Red</td><td>rt</td><td>RD</td></tr><tr><td>Yellow</td><td>ge</td><td>YE</td></tr><tr><td>Green</td><td>gn</td><td>GN</td></tr><tr><td>Blue</td><td>bl</td><td>BU</td></tr><tr><td>White</td><td>ws</td><td>WH</td></tr><tr><td>Yellow/Green</td><td>--</td><td>GNYE</td></tr></tbody></table>	Color	Coding			(old)	(new)	Black	sw	BK	Brown	br	BN	Red	rt	RD	Yellow	ge	YE	Green	gn	GN	Blue	bl	BU	White	ws	WH	Yellow/Green	--	GNYE
Color	Coding																														
	(old)	(new)																													
Black	sw	BK																													
Brown	br	BN																													
Red	rt	RD																													
Yellow	ge	YE																													
Green	gn	GN																													
Blue	bl	BU																													
White	ws	WH																													
Yellow/Green	--	GNYE																													
Conductors	EI-Cu-lead soft/bright; Ø0,10 mm lead strength																														
Temperature range	-40° .. +80°C (static) 0° .. +80°C (dynamic)																														
Perm. bending radius	min. 10x cable diameter for dynamic use																														
Sparking and creeping distances	DIN VDE 0110, overvoltage category II																														

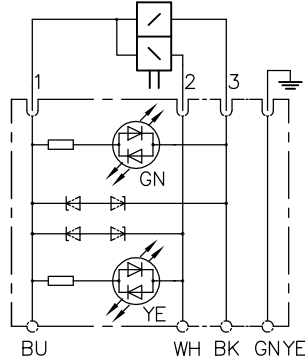
2.2.2 Electrical parameter

Nom. voltage	24 VDC/VAC
Perm. voltage range	10 .. 32 VDC/VAC
Consumption	approx. 6 mA per LED (at 24 VDC)
Overvoltage protection	47 V (only with type L5K and L5K-VZP)
Protection class acc. to DIN VDE 0470 EN 60529 or IEC 529	IP 65
Circuitry	

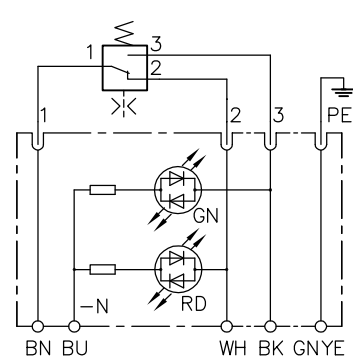
Type L5K



Type L5K-VZP



Type L5K-DG



3. Unit dimensions

All dimension in mm and subject to change without notice!

